

AMP AMP Connect

MAIN MENU HELP
FAMILIES REGISTRATION

Alphabetical Picture Part Number
SEARCH SEARCH SEARCH

Go To Step Search™ Screen

1-66505-0 -- 1 of 1 products

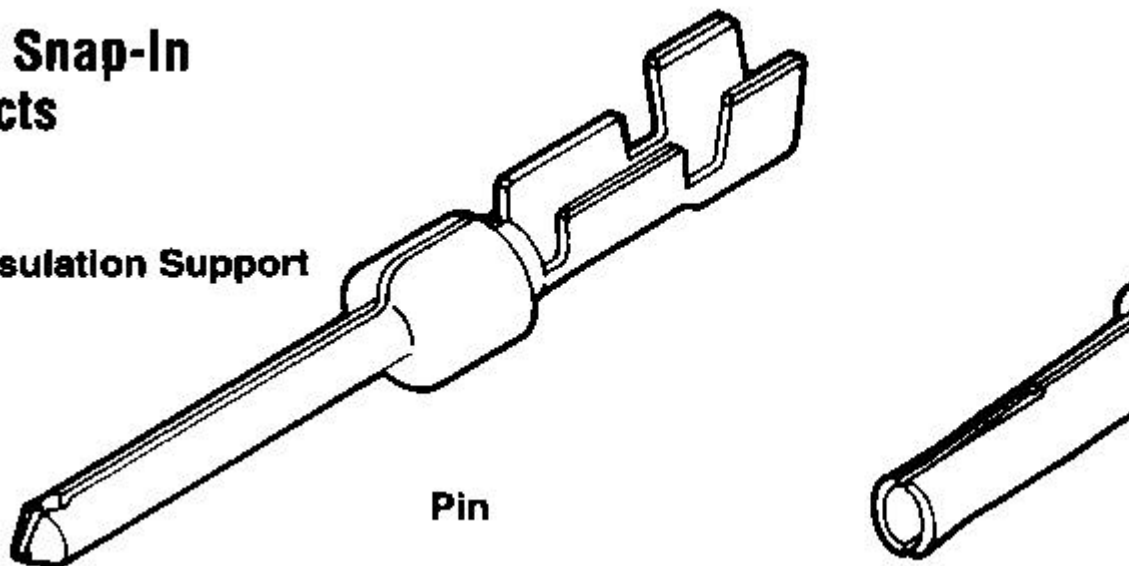
AMPLIMITE Subminiature D Connectors
AMPLIMITE Subminiature D Cable Connectors

- General **INFO**
- Sales **INFO**
- Customer Drawings **SPECIFICATIONS**

Please use Customer Drawing or CAD file for design activity; line art and other pictures are general representations of product dimensions.

Crimp Snap-In Contacts

With Insulation Support



Line art represents typical product only.

[Line Art](#)

Searchable Features:

Product Type	Contact
Pin/Socket	Socket
Wire Termination Type	Crimp
Wire Range	28-24 [0.08-0.20 ²] AWG [mm]
Wire Insulation Diameter	.040 [1.02] Max. in. [mm]
Mating Connector Lock	Without
Contact Mating Area Plating	Gold Flash
Contact Size	20
Insulation Support	Yes
Product Series	HDP-20
Grade	Standard

Other Properties:

Contact Retention in Housing	Snap-In
Contact Material	Phosphor Bronze
Solder Tail Plating	Gold Flash over Nickel
Packaging Method	Loose Piece
CERTI-CRIMP Hand Tool	90302-1
CERTI-CRIMP Hand Tool Color Code	Blue Dot
PRO-CRIMPER II Hand Tool	58448-2
Used With	CPC Connectors

[[Main Menu](#) | [Help](#) | [Family Search](#) | [Registration](#) | [Feedback](#)]
[Top of Page](#)